

TECHNICAL DATA SHEET

DATE UPDATED:
9/27/2018

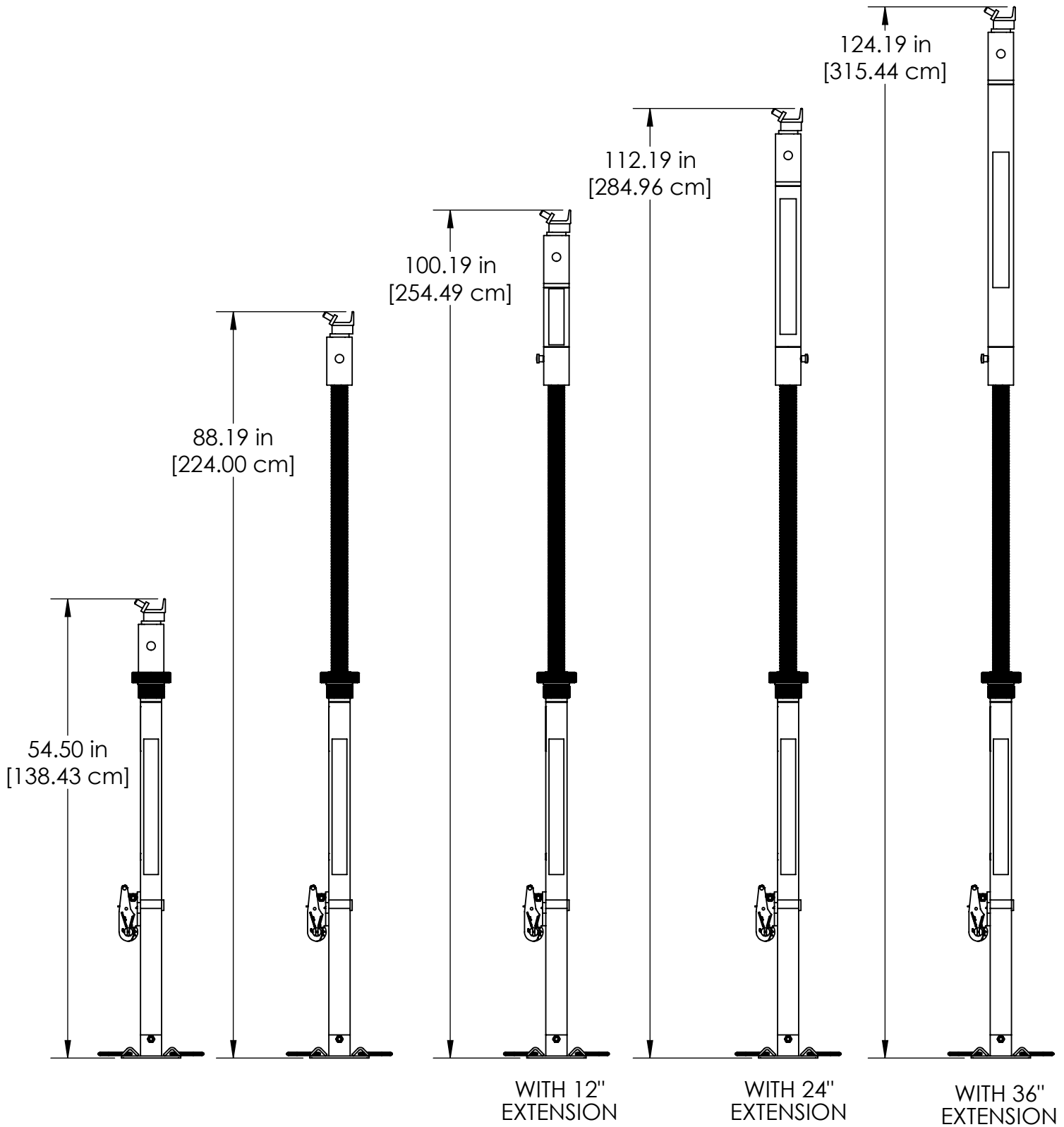
REV:
B



TITLE:
LONG AUTO X STRUT

PART NO.
ATX-STRT-L

STRUT WEIGHT (WITHOUT EXTENSIONS): 33 lbs/14.97 kg



TECHNICAL DATA SHEET

DATE UPDATED:
9/27/2018

REV:

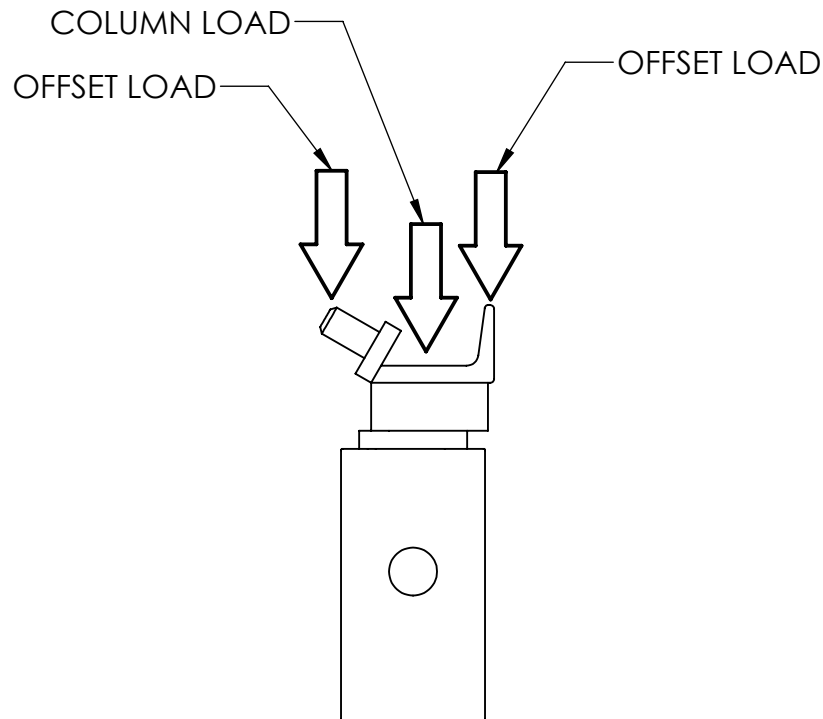


TITLE:
LONG AUTO X STRUT

PART NO.
ATX-STRT-L

LOAD RATING (2:1 SAFETY FACTOR)

	HEIGHT (in)	HEIGHT (cm)	COLUMN (lbs)	OFFSET (lbs)	COLUMN (kgs)	OFFSET (kgs)
SHORT STRUT: COLLAPSED - EXTENDED	44.00-67.00	111.76-170.18	3,250	2,380	1,474	1,079
SHORT STRUT: EXTENDED WITH 12" EXTENSION	79	200.66	3,250	2,380	1,474	1,079
SHORT STRUT: EXTENDED WITH 24" EXTENSION	91	231.14	2,950	2,150	1,338	975
SHORT STRUT: EXTENDED WITH 36" EXTENSION	103	261.62	2,540	1,980	1,111	898
LONG STRUT: COLLAPSED - EXTENDED	54.50-88.19	138.43-224.00	3,250	2,380	1,474	1,079
LONG STRUT: EXTENDED WITH 12" EXTENSION	100.19	254.49	2,840	1,840	1,288	834
LONG STRUT: EXTENDED WITH 24" EXTENSION	112.19	284.96	1,990	1,520	902	689
LONG STRUT: EXTENDED WITH 36" EXTENSION	124.19	315.44	1,720	1,190	780	539



TECHNICAL DATA SHEET

DATE UPDATED:
9/27/2018

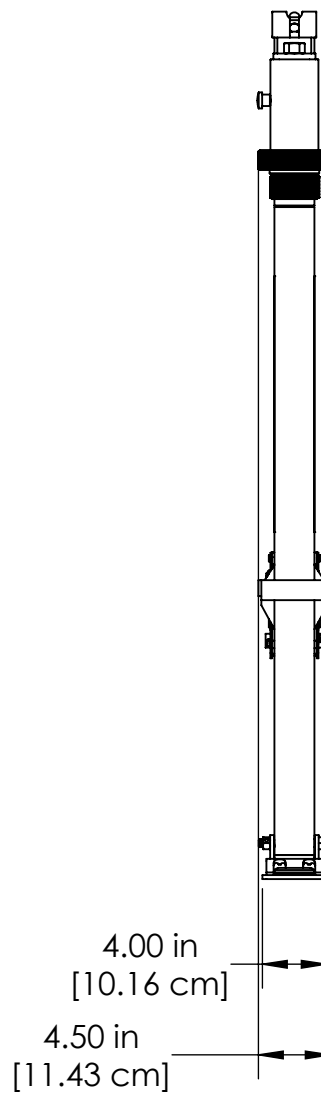
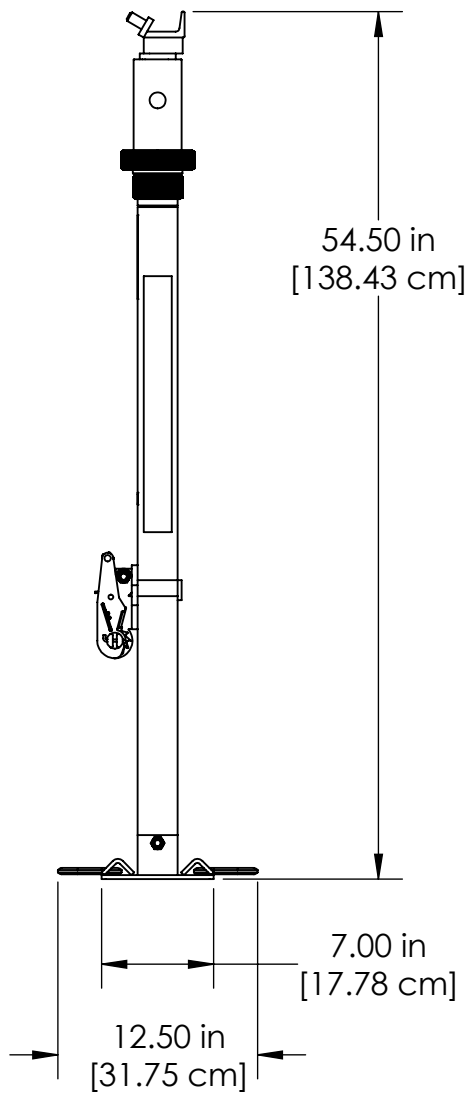
REV:
B



TITLE:
LONG AUTO X STRUT

PART NO.
ATX-STRT-L

STORAGE



TECHNICAL DATA SHEET

DATE UPDATED:
9/28/2018

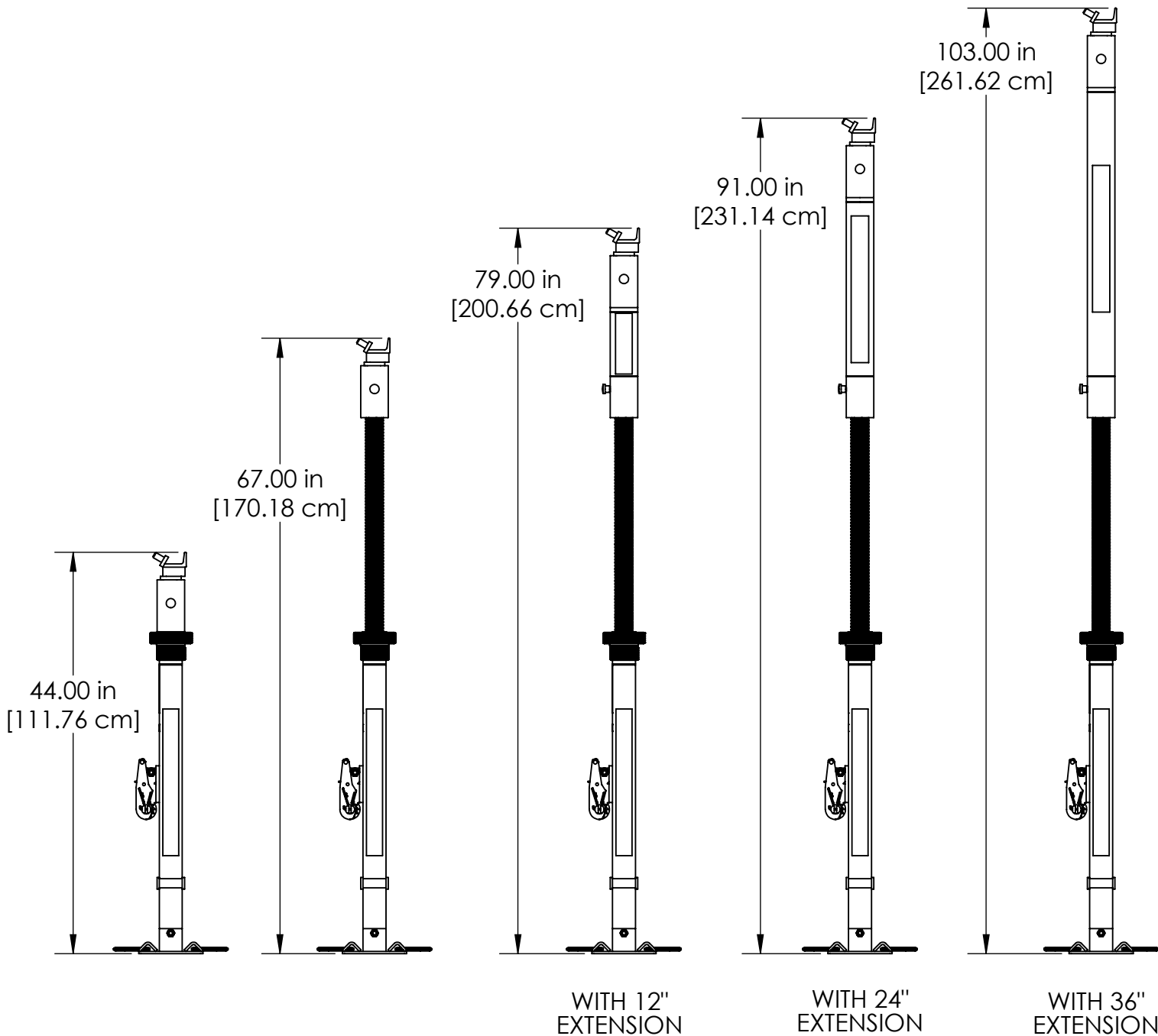
REV:
B



TITLE:
SHORT AUTO X STRUT

PART NO.
ATX-STRT-S

STRUT WEIGHT (WITHOUT EXTENSIONS): 30 lbs/13.61 kg



TECHNICAL DATA SHEET

DATE UPDATED:
9/28/2018

REV:
B

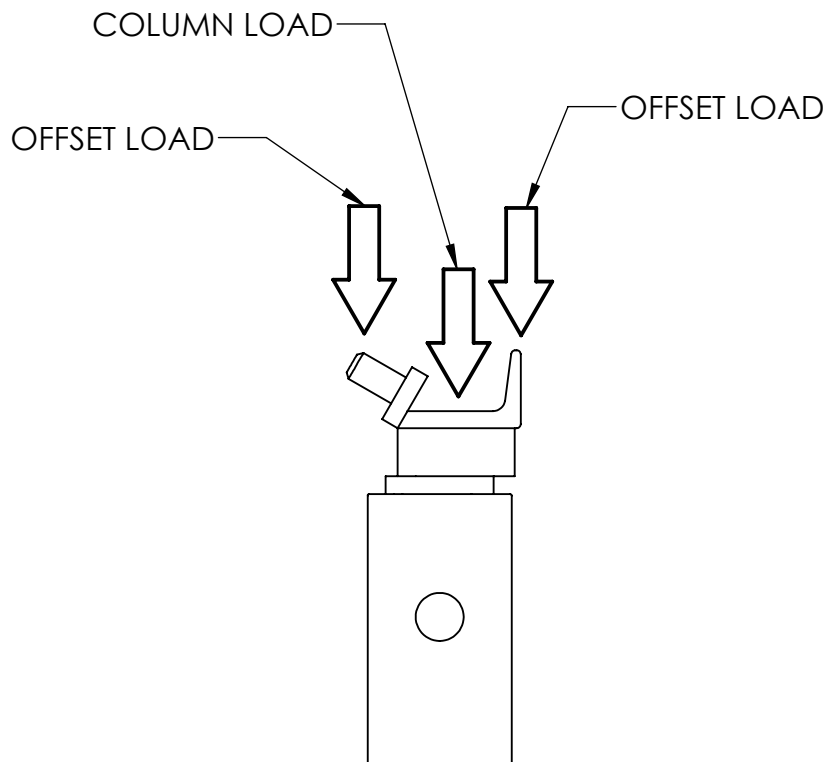


TITLE:
SHORT AUTO X STRUT

PART NO.
ATX-STRT-S

LOAD RATING (2:1 SAFETY FACTOR)

	HEIGHT (in)	HEIGHT (cm)	COLUMN (lbs)	OFFSET (lbs)	COLUMN (kgs)	OFFSET (kgs)
SHORT STRUT: COLLAPSED - EXTENDED	44.00-67.00	111.76-170.18	3,250	2,380	1,474	1,079
SHORT STRUT: EXTENDED WITH 12" EXTENSION	79	200.66	3,250	2,380	1,474	1,079
SHORT STRUT: EXTENDED WITH 24" EXTENSION	91	231.14	2,950	2,150	1,338	975
SHORT STRUT: EXTENDED WITH 36" EXTENSION	103	261.62	2,540	1,980	1,111	898
LONG STRUT: COLLAPSED - EXTENDED	54.50-88.19	138.43-224.00	3,250	2,380	1,474	1,079
LONG STRUT: EXTENDED WITH 12" EXTENSION	100.19	254.49	2,840	1,840	1,288	834
LONG STRUT: EXTENDED WITH 24" EXTENSION	112.19	284.96	1,990	1,520	902	689
LONG STRUT: EXTENDED WITH 36" EXTENSION	124.19	315.44	1,720	1,190	780	539



TECHNICAL DATA SHEET

DATE UPDATED:
9/28/2018

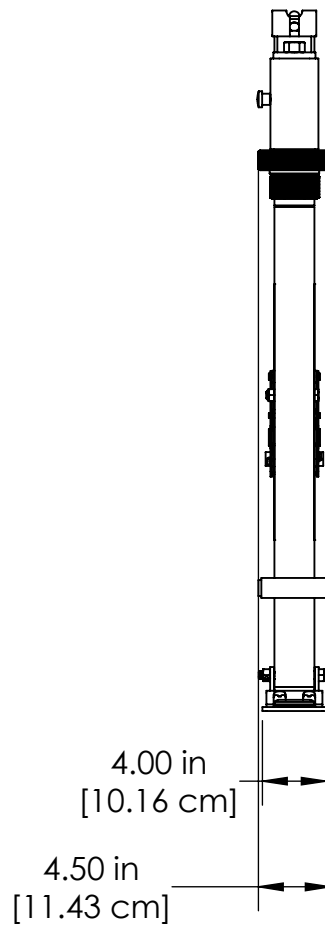
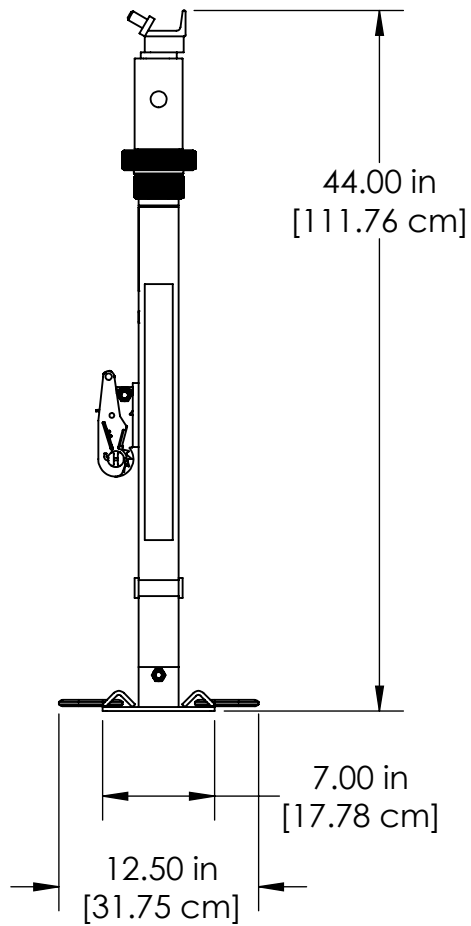
REV:
B



TITLE:
SHORT AUTO X STRUT

PART NO.
ATX-STRT-S

STORAGE



TECHNICAL DATA SHEET

DATE UPDATED:
9/27/2018

REV:
A



TITLE:
AUTO X JACK

PART NO.
ATX-JACK

LIFTING WLL: 2,500 LBS/1,133KGS
TRAVEL: 12 IN/30.48 CM
WEIGHT: 15 LBS/6.80 KGS

